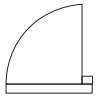


FLOOR PLANS

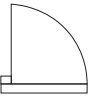


**TOBACCO
THEATER**

SYMBOLS



DOOR OPENING LEFT SIDE



DOOR OPENING RIGHT SIDE



WINDOW



SWINGING DOOR



SLIDING DOOR



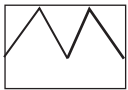
STAIRCASE



ELEVATOR



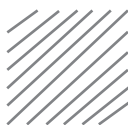
SPIRAL STAIRCASE



HEIGHT OF CEILING

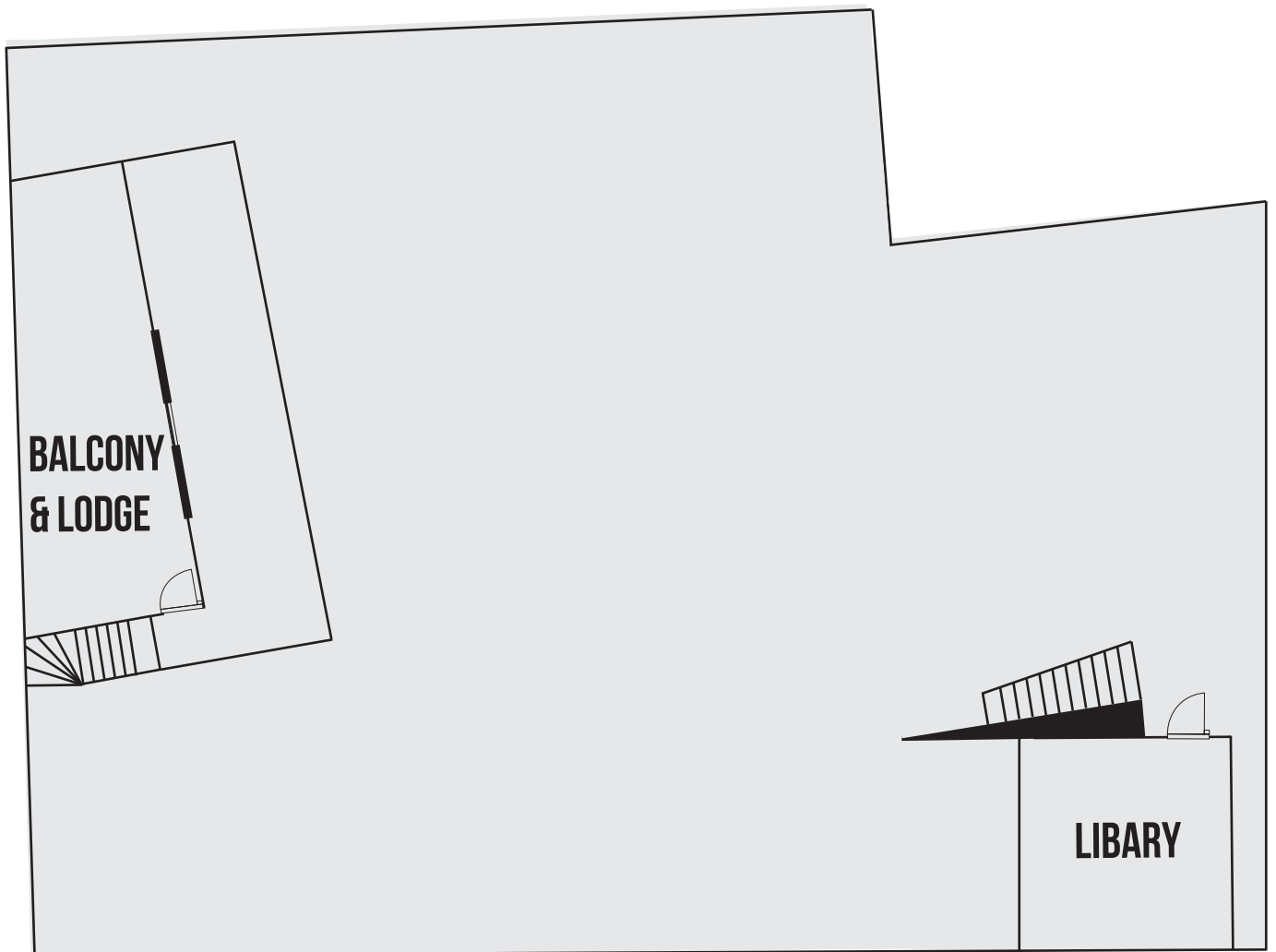


DOUBLE DOOR



NOT ACCESSIBLE FOR GUESTS

FIRST FLOOR

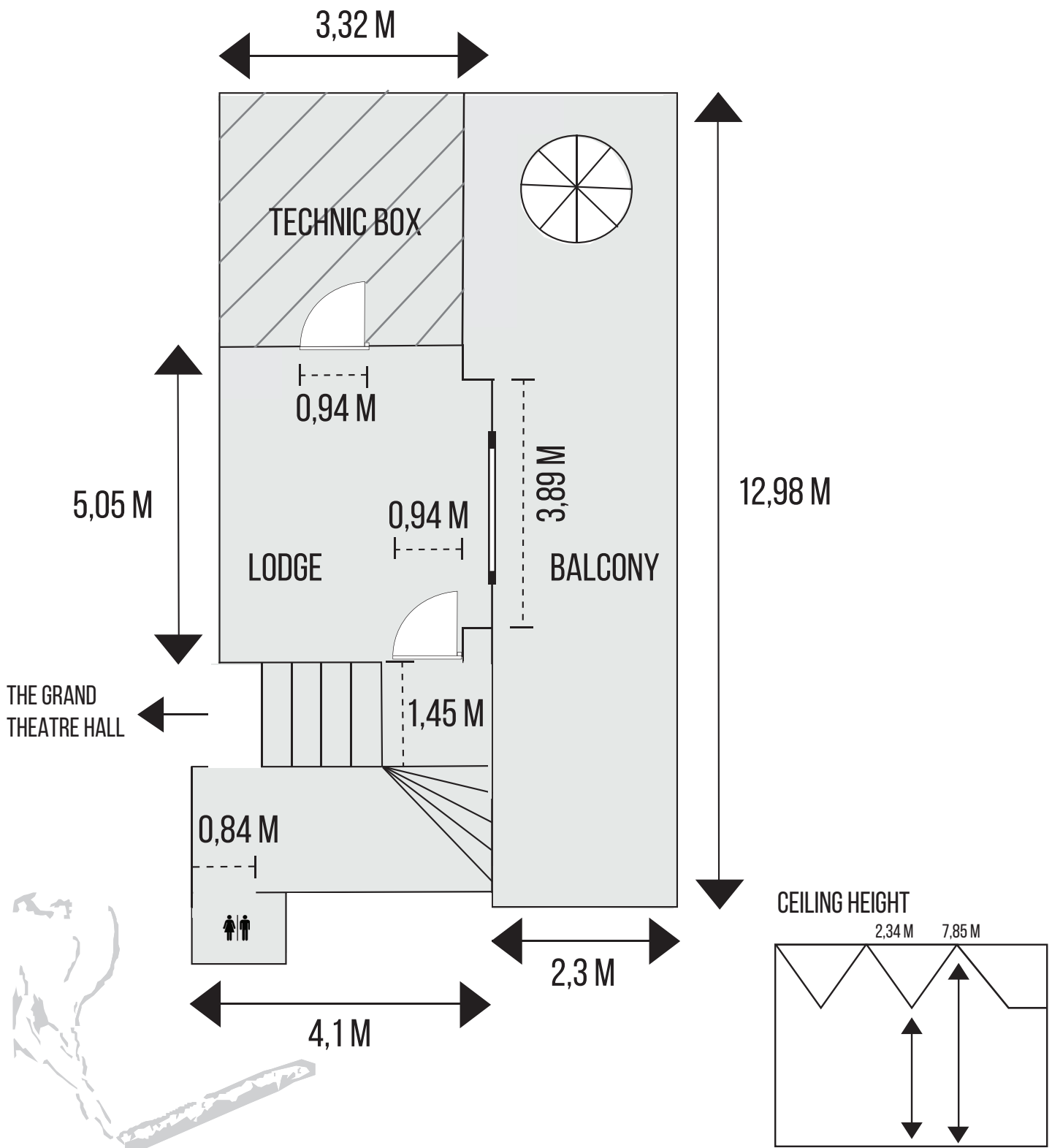


BALCONY & LODGE

SURFACE AREA 45 M²

APPROXIMATELY 60 GUESTS

1ST FLOOR

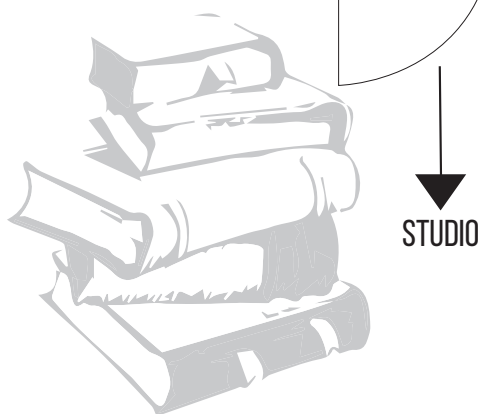
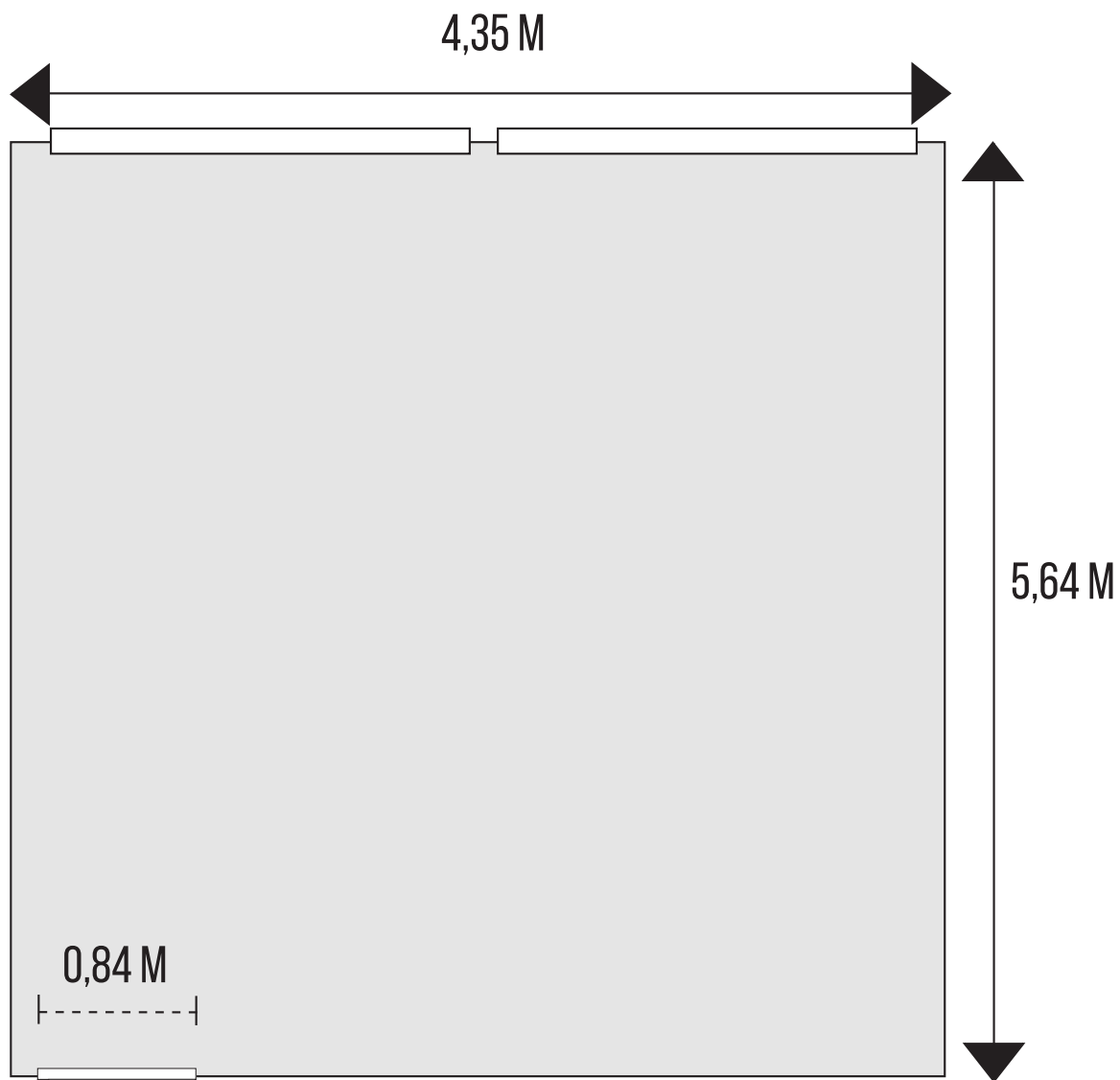


LIBRARY

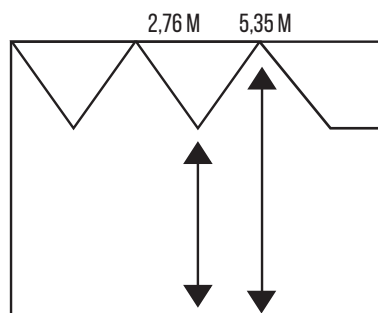
SURFACE AREA 25 M²

APPROXIMATELY 20 GUESTS

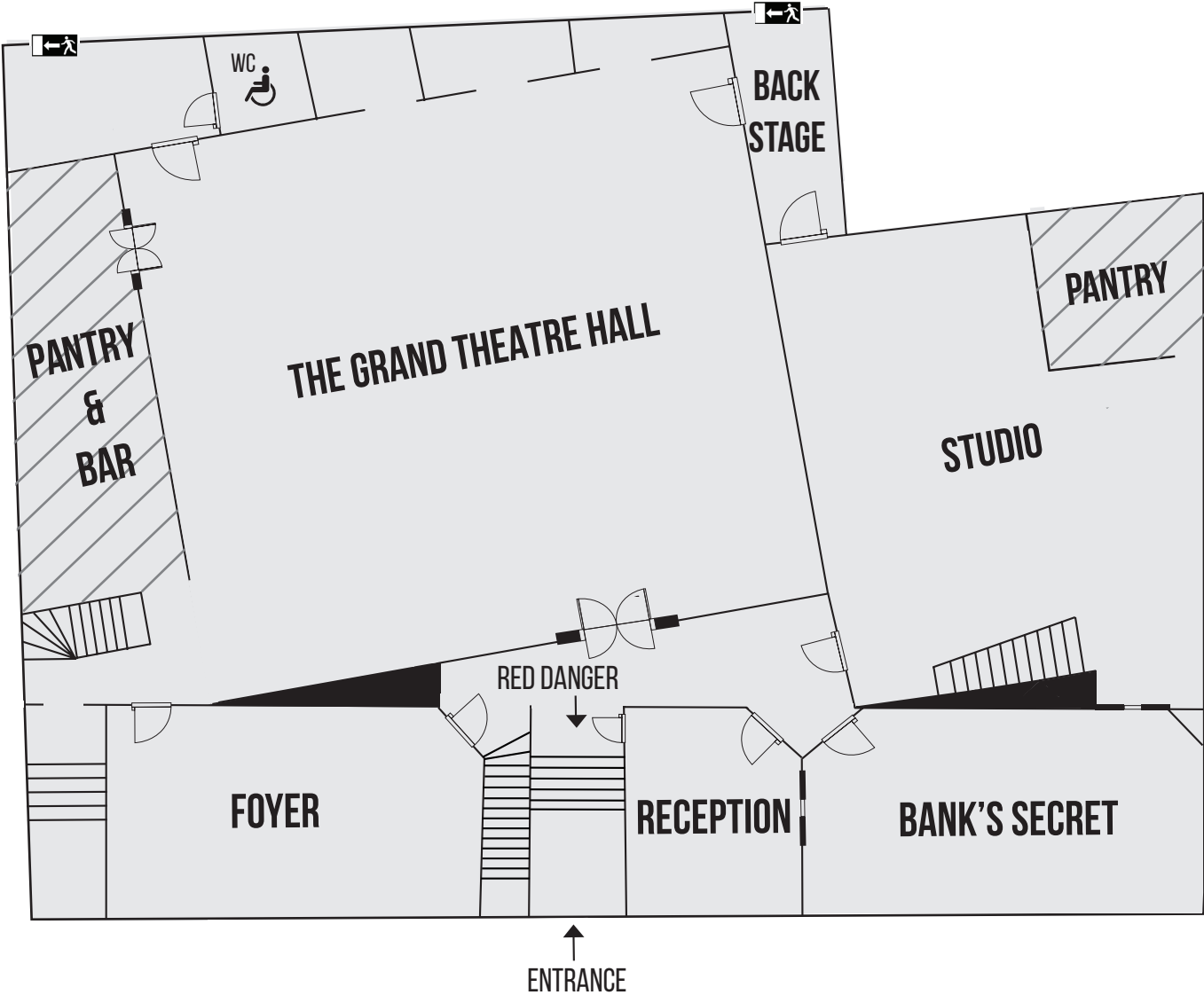
1st FLOOR



CEILING HEIGHT



GROUND FLOOR

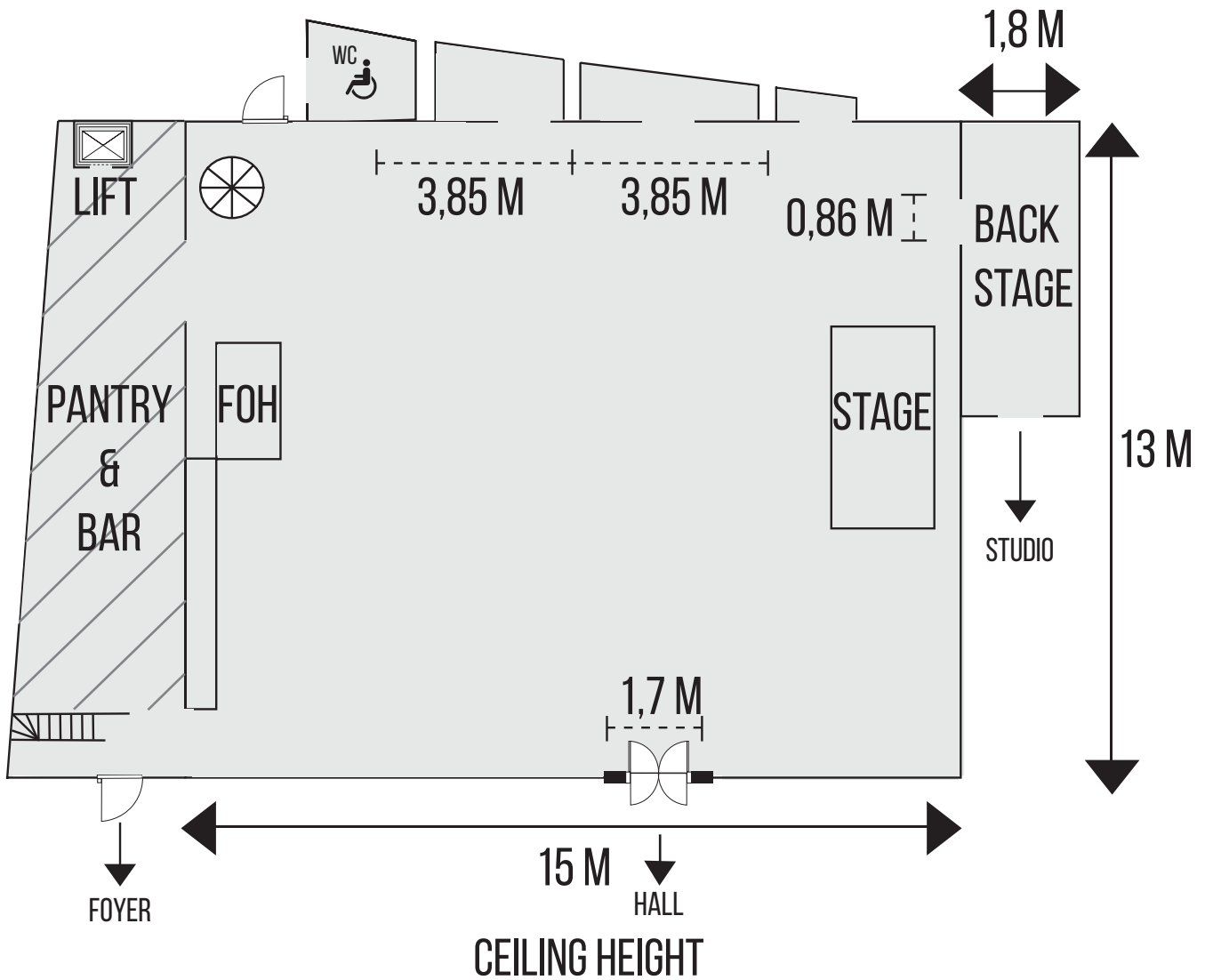


GRAND THEATRE HALL

SURFACE AREA 200 M²

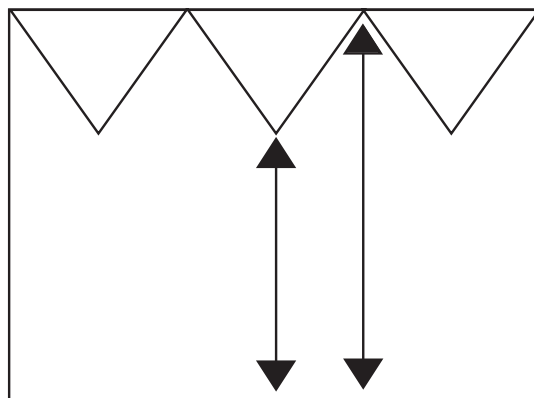
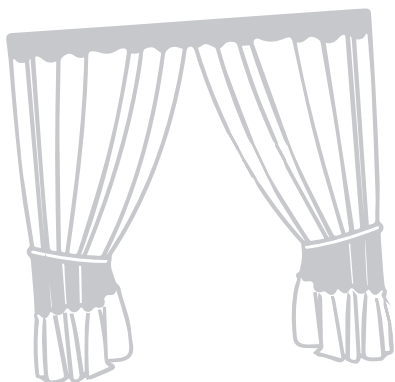
APPROXIMATELY 500 GUESTS

GROUND FLOOR



CEILING HEIGHT

5,5 M 7,85 M

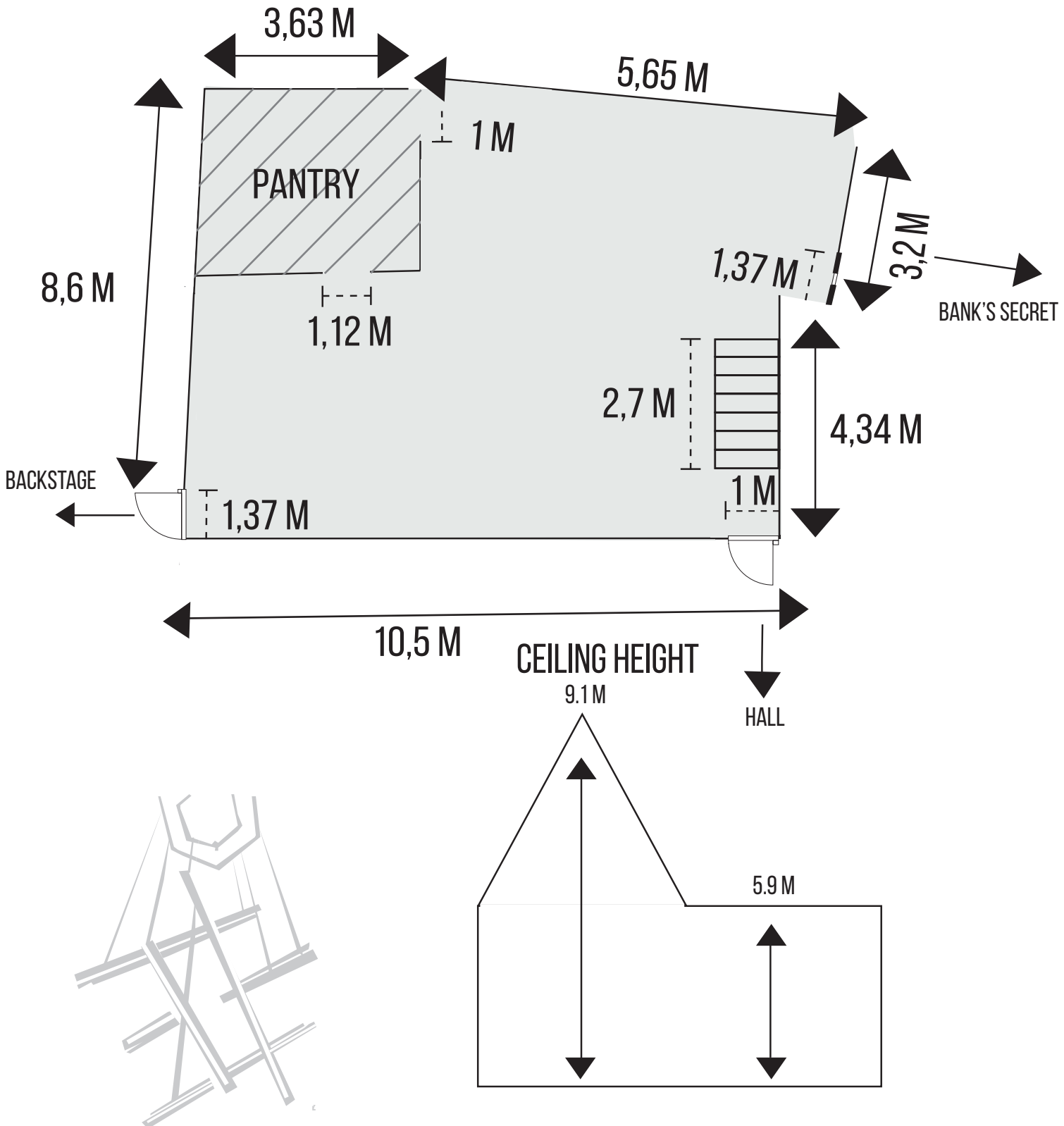


STUDIO

SURFACE AREA 75 M²

APPROXIMATELY 100 GUESTS

GROUND FLOOR

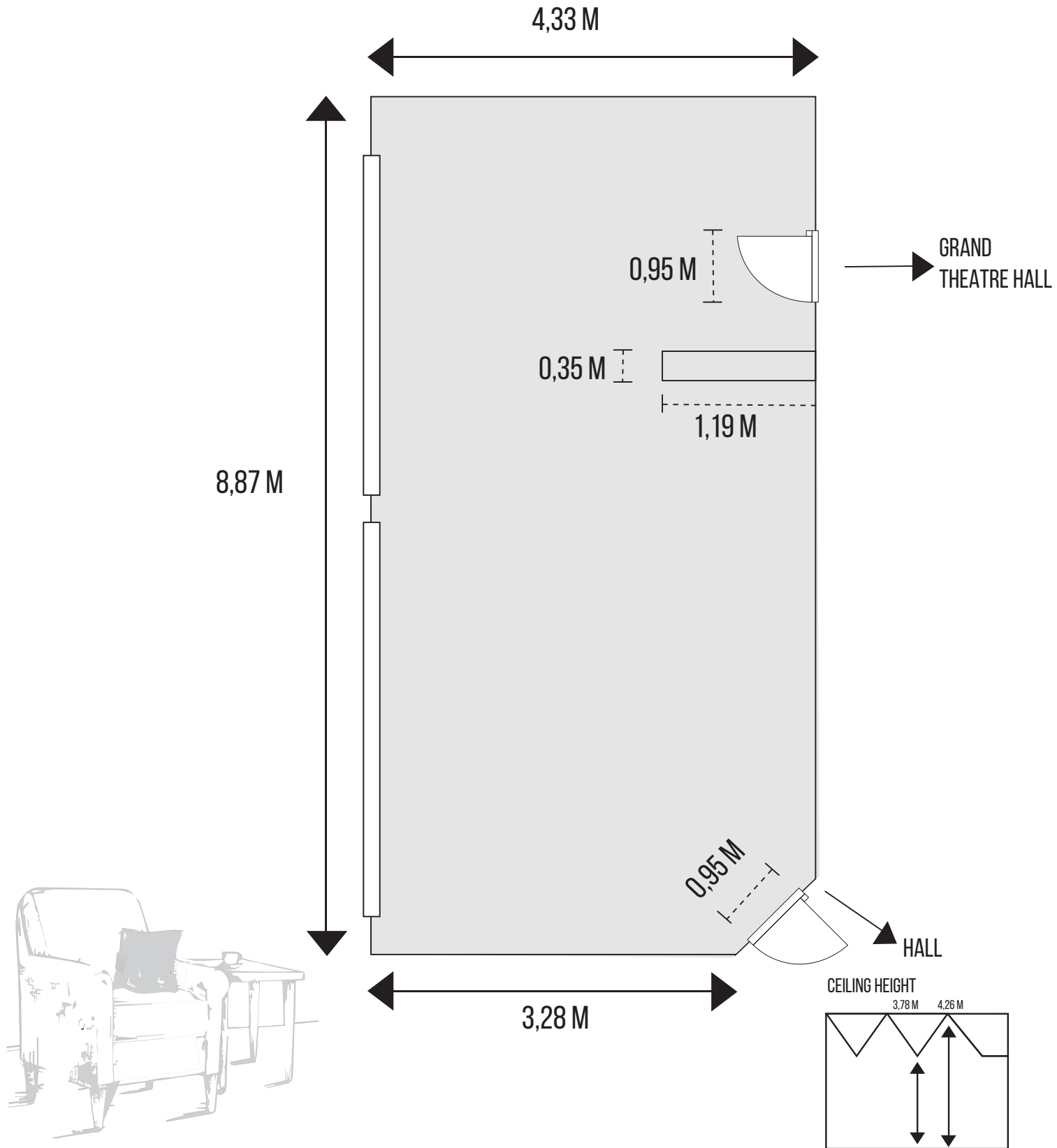


FOYER

SURFACE AREA 42 M²

APPROXIMATELY 50 GUESTS

GROUND FLOOR

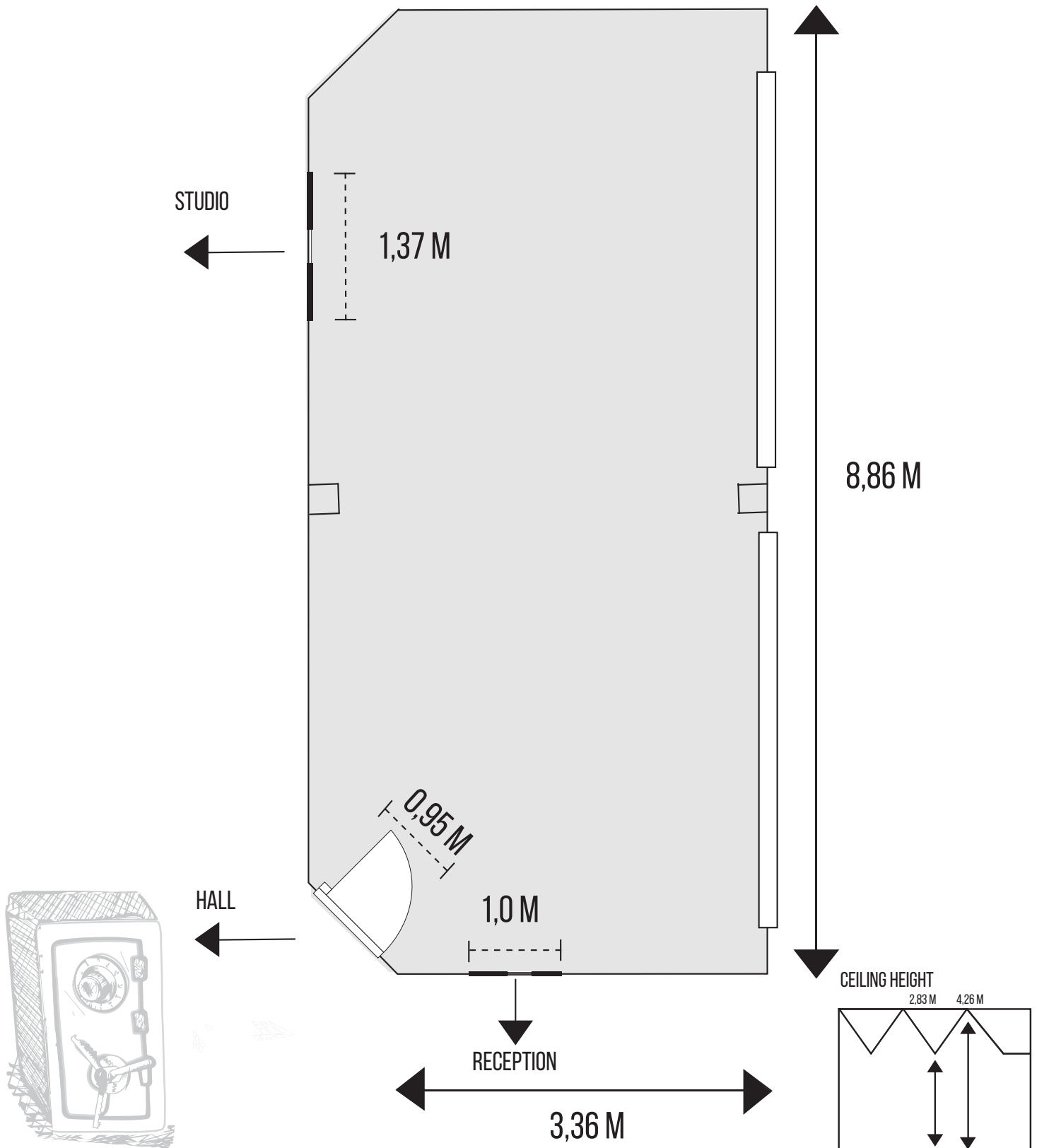


BANK'S SECRET

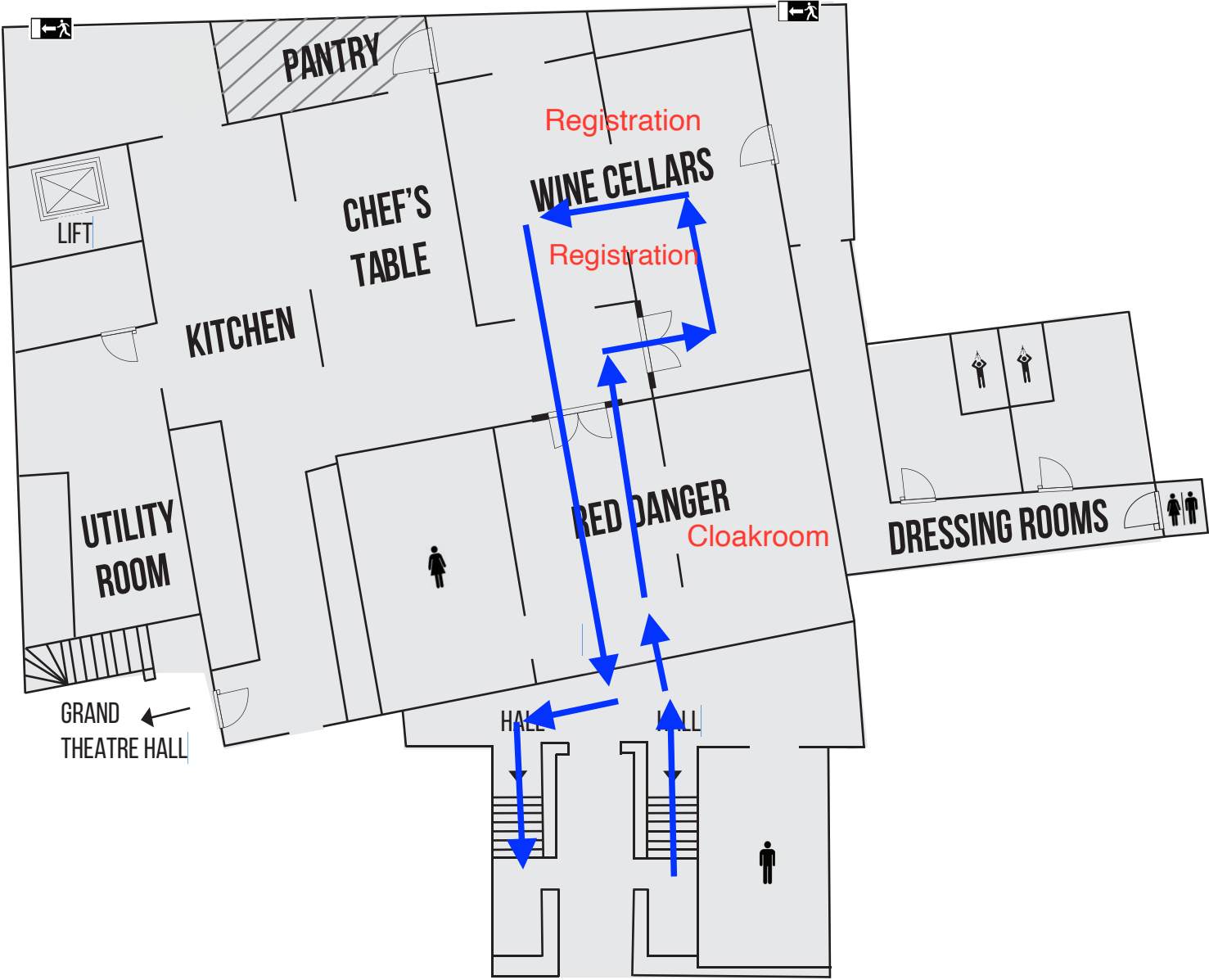
SURFACE AREA 40 M²

APOXIMATELY 50 GUESTS

GROUND FLOOR



SOUTERRAIN

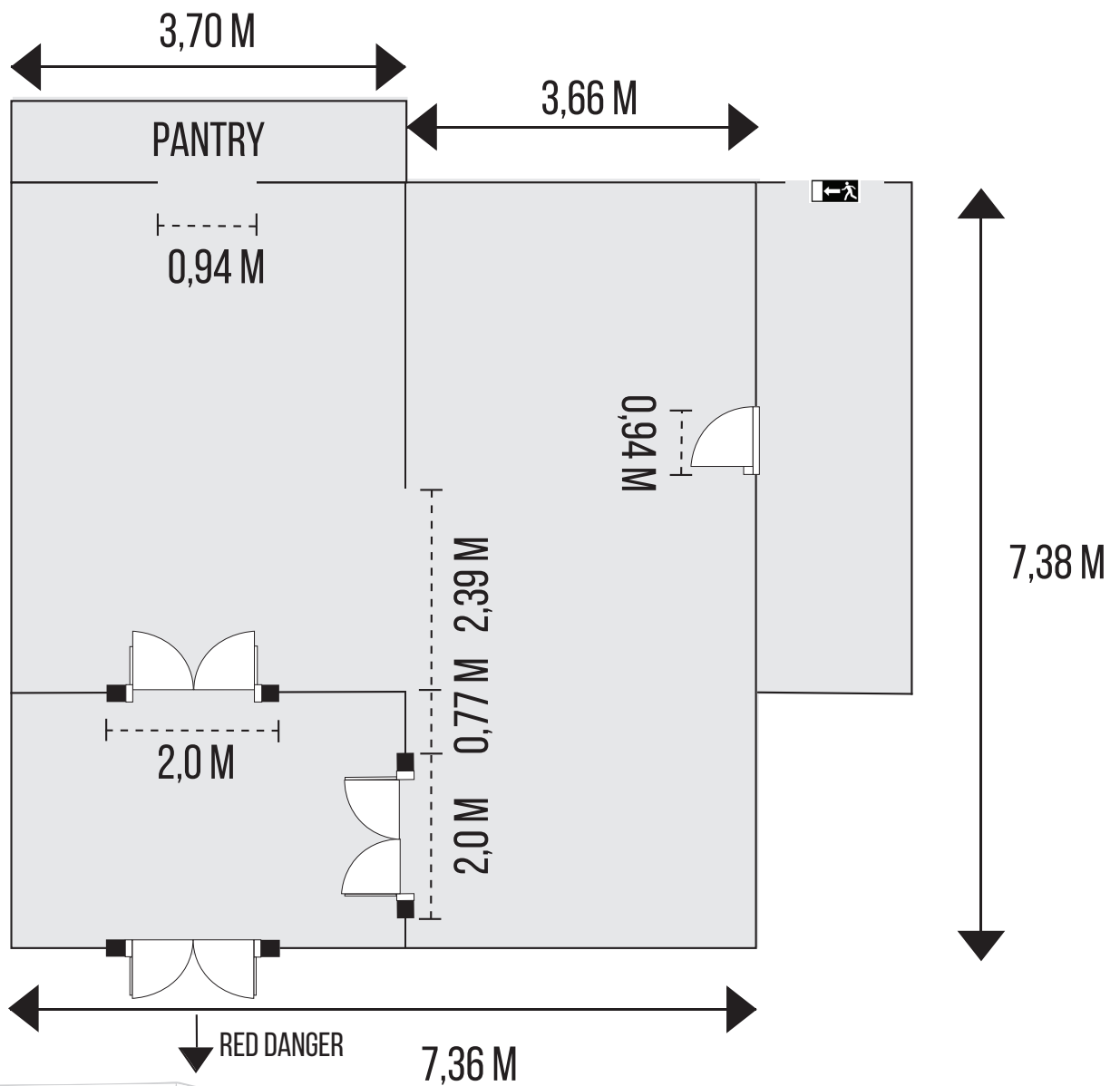


WINE CELLARS

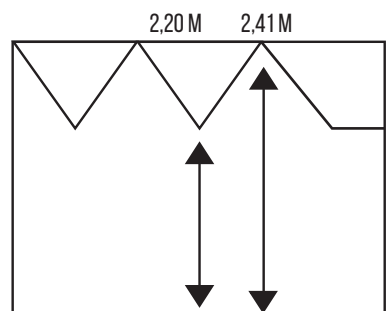
SURFACE AREA 50 M²

APOXIMATELY 50 GUESTS

BASEMENT



CEILING HEIGHT



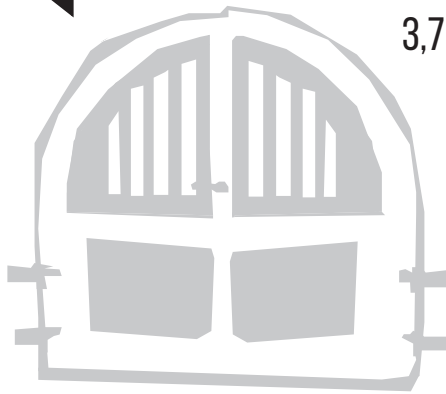
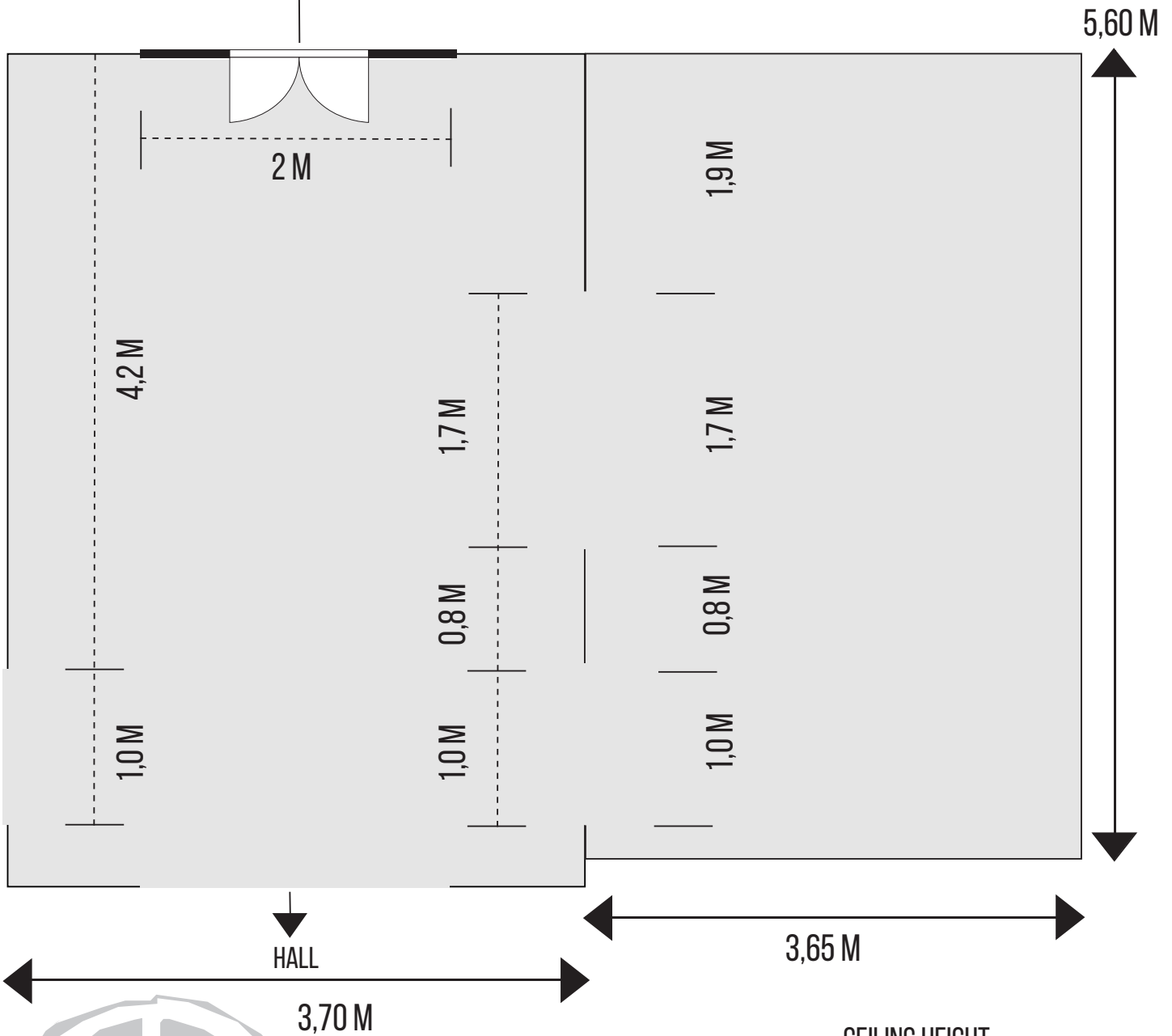
RED DANGER

SURFACE AREA 40 M²

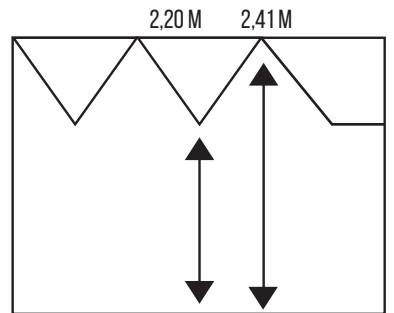
APROXIMATELY 50 PEOPLE

BASEMENT

WINE CELLARS



CEILING HEIGHT

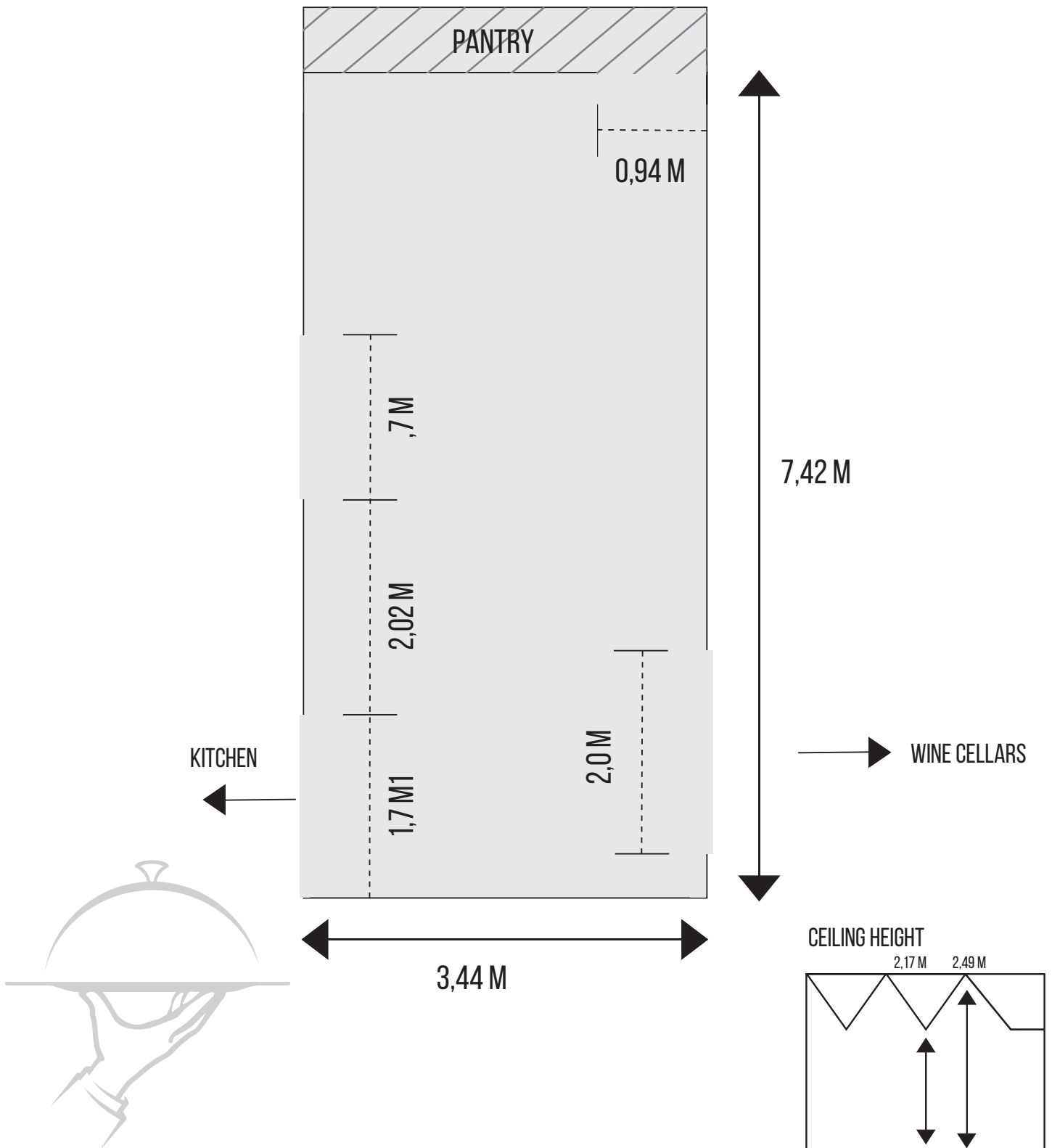


CHEF'S TABLE

SURFACE AREA 30 M²

APPROXIMATELY 20 PEOPLE

BASEMENT



KITCHEN

SIZE 70M²

BASEMENT

